

MEGAVIDEO 55™

Watch DVD, video or satellite in any room
with an antenna connection!



*Turn any audio/video signal
into an antenna signal.*

Complete stereo sound.

*Use your own remote to control your
equipment through walls and ceilings.*

MARMITEK



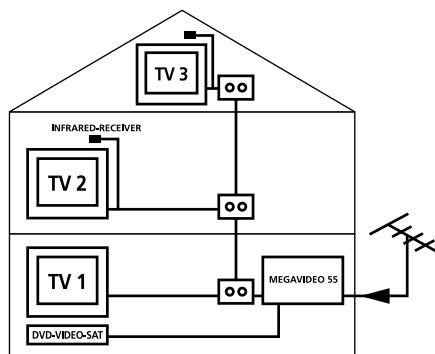
stereo modulator



infrared-receiver

MEGAVIDEO 55

- Watch the images of your DVD, VCR, PC, security camera or satellite receiver in any room with an antenna connection!
- You can control the equipment (e.g. the DVD player) from the room you're in.
- Stereo sound.
- Optimal image and sound quality.
- Suitable for all brands and models.
- Easy to connect.



HOW DOES THE MEGAVIDEO 55 WORK?

The MegaVideo 55 creates an extra TV channel for e.g. your DVD player and places this channel on the antenna network in your home. The connected device (e.g. your DVD player) can then be controlled using your own remote control: The infrared receiver included is placed beside your second TV and transmits all remote control commands via the coax cable to the device connected to the MegaVideo 55.



GigaVideo 45



GigaVideo 70

WHAT IS THE DIFFERENCE WITH WIRELESS SOLUTIONS?

Marmitek also has a number of wireless solutions (e.g. GigaVideo 45 and GigaVideo 70). Wireless solutions are easy to use and flexible. There can however be several reasons to choose the MegaVideo 55. The MegaVideo system gives you the opportunity to watch the images on the connected device on all TVs in your home. Even with longer distances, an optimal image quality is guaranteed.



Flat TV Link 4

CONNECTING MORE THAN ONE DEVICE?

If you want to connect multiple devices to the MegaVideo 55, you can use the Marmitek Flat TV Link 4. This offers you the option to switch between 4 connected devices.

TECHNICAL DETAILS

| | |
|-----------------------|--|
| System: | PAL B/G. |
| Input: | Video, Audio L+R (stereo carrier 5.5 - 5.742 MHz). |
| Output level: | 82 dB μ V in 75 Ω . |
| Freq. Range: | UHF: 470 - 862 MHz, channel 21-69. |
| Coupling loss: | < 1,5dB @ 800MHz. |
| Infrared: | \leq 40kHz. |
| Power: | 230V/50Hz, 9V/300mA. |
| Dimensions modulator: | 86 x 68 x 21 mm. |

AVAILABLE

- MegaVideo 55 set, including infrared receiver for return channel remote control (freq. A)
- Extra infrared receiver (freq. A)
- Flat TV Link 4 E (European version)
- Flat TV Link 4 U (UK version)

Art. no. 09585
Art. no. 09586
Art. no. 09592
Art. no. 09608