

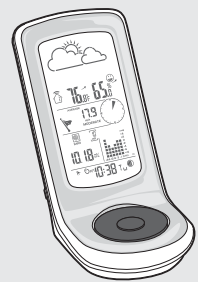
# QUICK START GUIDE

WMR100 ADVANCED WEATHER STATION  
with Wireless Sensor Set and Mounting Package

## A UNPACK

Make sure that you have all of the parts shown here before the installation of the Advanced Weather Station.

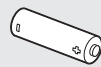
### MAIN UNIT



1x WMR100 Base



1x 6V Adapter

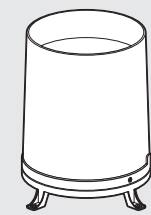


4x 1.5V AA Batteries



1x USB Cable

### RAIN GAUGE



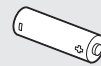
1x Rain Collector



1x Filter



3x Screws (Type C)



2x 1.5V AA Batteries



6x Washers

### POLE MOUNT



1x Support Base



3x Pole Sections



2x Round U-Shaped Bolts



1x Cone-Shaped End



3x Metal Pins



3x Tension Strings

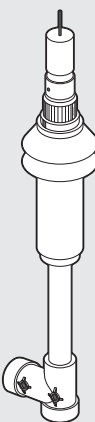


2x Rectangular Base Legs

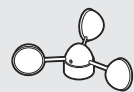


4x Screws (Type A)

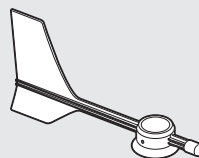
### INTEGRATED WIND GAUGE



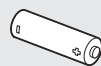
1x Wind Sensor Stem



1x Wind Vane



1x Wind Direction Indicator

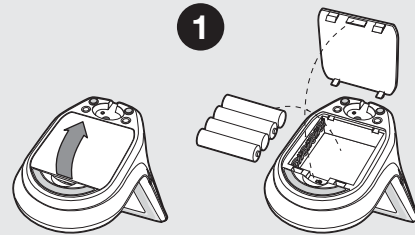


4x 1.5V AA Batteries

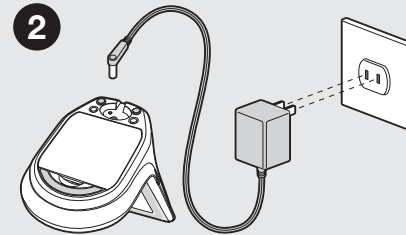


2x Screws (Type B)

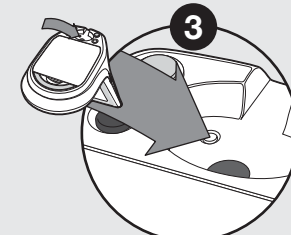
## B SET-UP MAIN UNIT



1 Install 4 AA batteries located underneath the base unit.

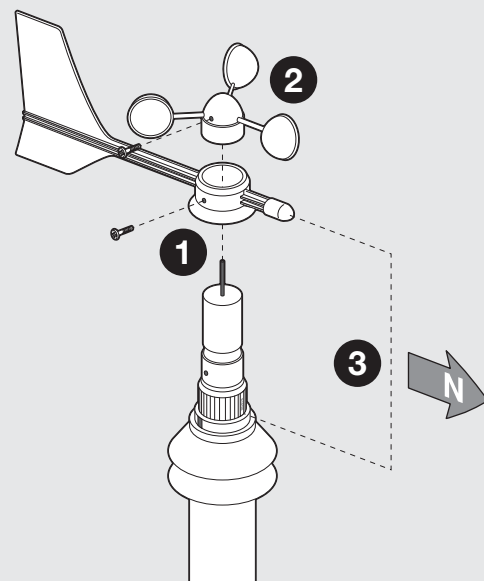


2 Install power plug into the base station and insert the AV adapter into the wall outlet.



3 Press the RESET button.

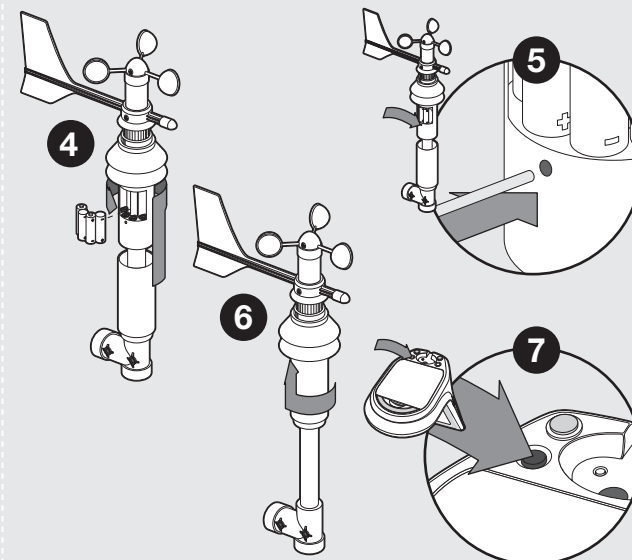
## C SET-UP INTEGRATED WIND SENSOR



1 Slide wind direction indicator onto wind sensor and align the screw holes. After aligning the holes, use a Type B screw to secure.

2 Attach the wind speed vane on the top of the wind sensor, align the holes, and use a Type B screw to secure.

3 When installing outside, rotate the NORTH Indicator reference line to the "north" and align the wind indicator in the same direction.

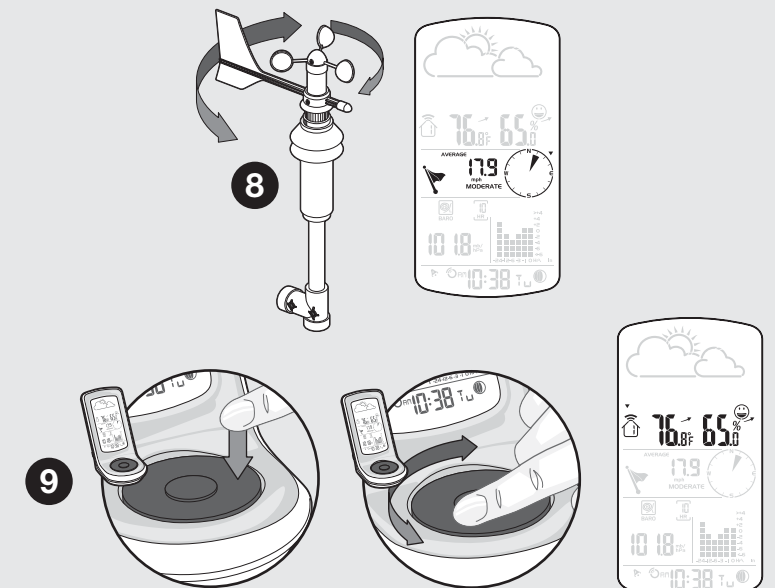


4 Rotate the battery cover counter-clockwise and slide cover off to expose the battery compartment. Insert 4 AA batteries.

5 Press the RESET button.

6 Rotate the battery cover clockwise and slide cover on to close the battery compartment.

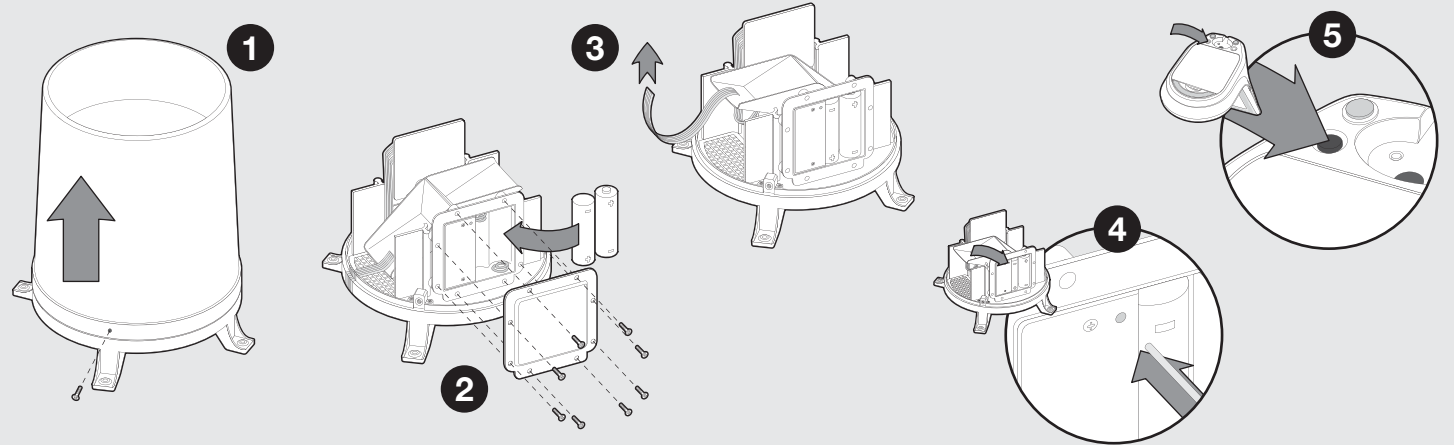
7 On the base station, press the SEARCH button to initiate a wireless sensor search.



8 Wind Speed: Gently rotate the wind vane and confirm a numerical reading on the base unit (17.9). Wind Direction Indicator: Move the direction of the wind indicator and verify the icon moves in the same direction (☼).

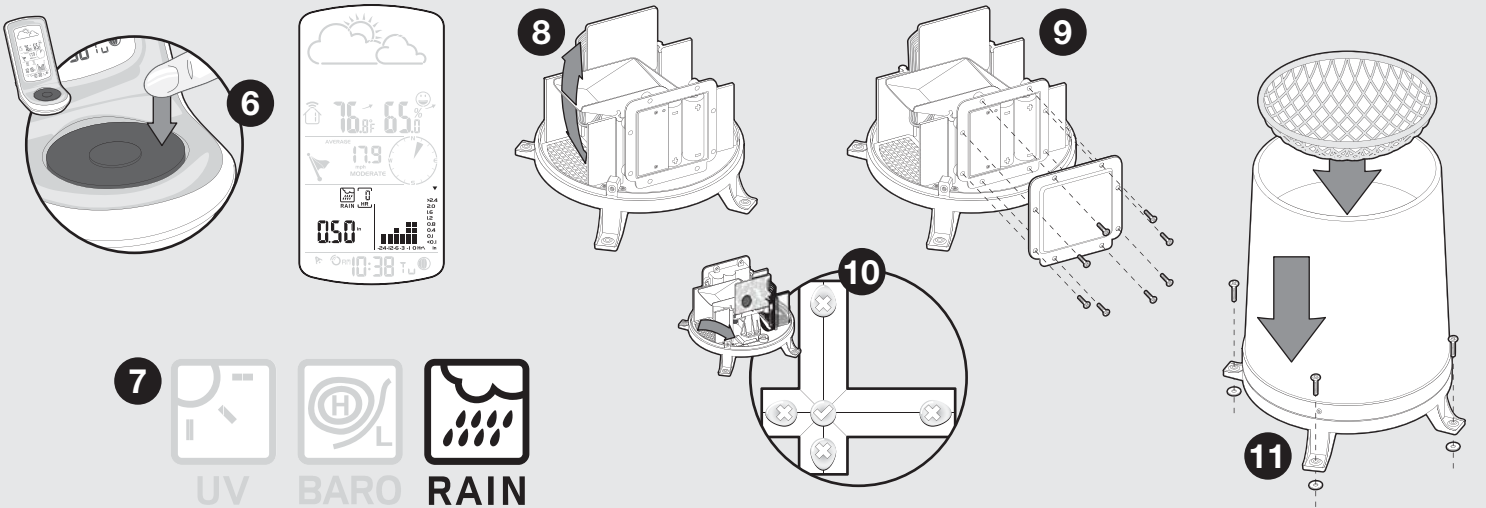
9 To test the temperature reading, press the SELECT button on the black rotating dial until the selected area icon (▼) is on the second level (± 16.8°F) of the LCD display. Rotate the dial clockwise to channel 1 and verify a numeric reading.

# D SET-UP RAIN GAUGE



- 1 Remove the two base screws located on the bottom rim of the rain gauge and slide the hood cover off to expose the battery compartment.
- 2 Locate the battery compartment and remove the eight screws that secure the cover. Install two AA batteries.
- 3 Remove the packing tape from the tipping funnel.

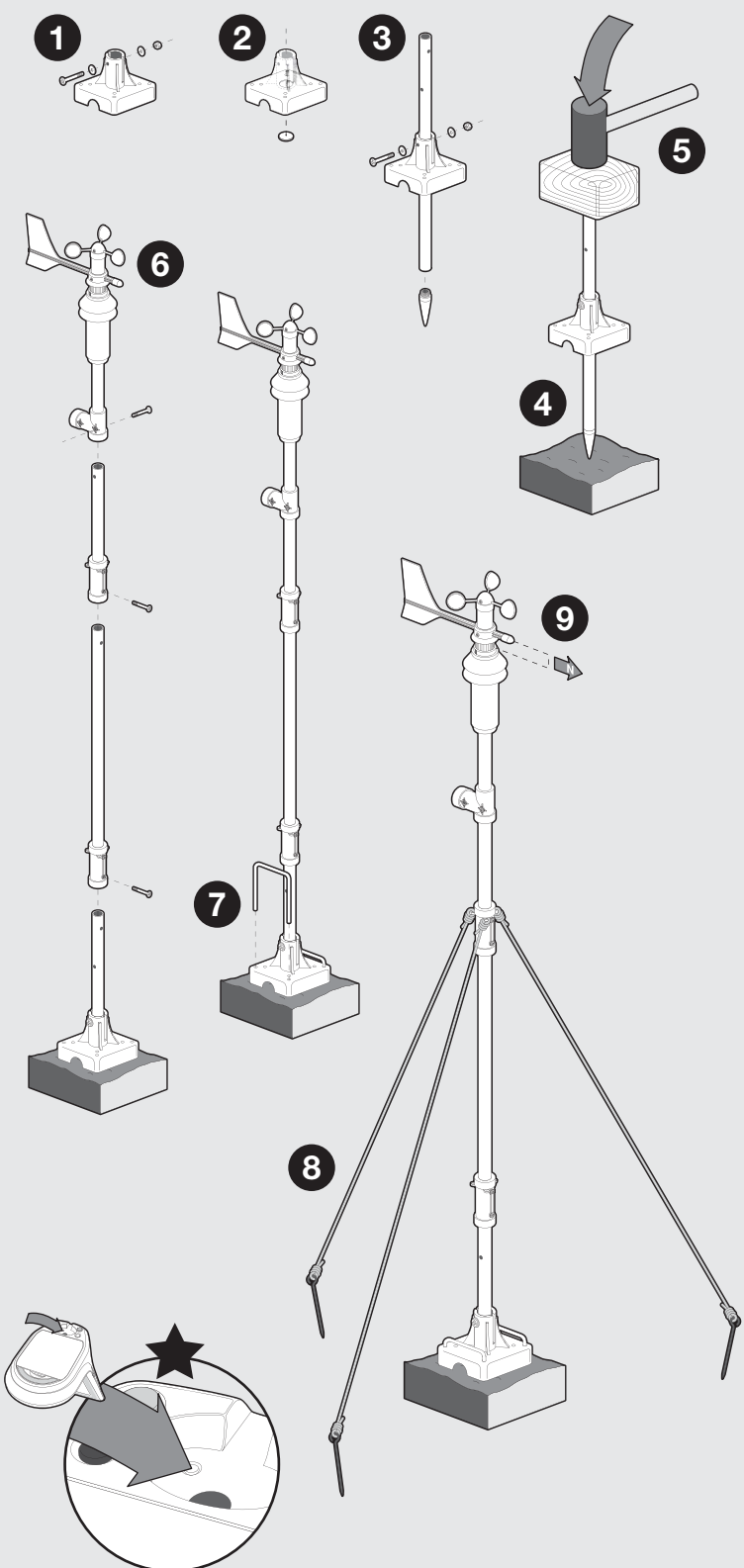
- 4 Press the RESET button.  
Before proceeding to install the rain gauge outside, please verify communication to the main base station.
- 5 Press the SEARCH button to initiate a wireless sensor search.



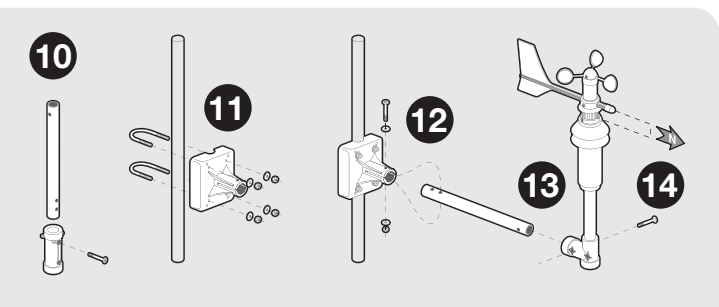
- \*To test the rain gauge you need to move the arrow to the bar graph section by rotating the dial.
- 6 Press the SELECT button on the black rotating dial until the selected area icon (▼) is on the BAR GRAPH on the LCD.
  - 7 Press the MODE button on the black rotating dial until the selected area icon is switched to Rainfall.
  - 8 Tilt the tipping funnel on the rain gauge several times and verify a numerical reading on the base unit (0.50).

- 9 Secure the battery cover with eight screws.
- 10 After verifying connection to the base station, place the rain gauge on a level surface and place a few drops of water on the cross at the base of the funnel to check the horizontal level. You can adjust the level when securing the rain gauge on the level screws by using the mounting screws.
- 11 To complete the installation, slide the hood cover on and secure with two base screws located on the bottom rim of the rain gauge.

# E SET-UP POLE



- ### Option 1—With mounting pole
- 1 Screw off the included nut and bolt from the plastic base.
  - 2 Remove the round pole cover in the middle of the plastic base.
  - 3 Insert the bottom pole until the screw hole aligns with the plastic base. Re-insert the nut and bolt and fasten. Screw the "cone shape" end clockwise onto the bottom pole.
  - 4 Use the guiding end to start inserting bottom pole at a perpendicular angle into the ground.
  - 5 Place a wooden block on the top of the bottom pole. With a hammer, hit the wooden block to hammer the guiding end into the ground until the plastic base reaches the base of the ground.
  - 6 Attach the bottom pole with the middle pole, top pole, and the wind sensor using three type A screws to secure.
  - 7 Insert two rectangular base legs into the plastic base to firmly fix the pole to the ground.
  - 8 For better stability, drive the three pins into the ground and attach the tension strings from the pins to the plastic hooks located on the top pole.
  - 9 Rotate the North Indicator reference line to the North and align the wind indicator in the same direction.
- ★ Press reset button on main unit to erase all testing data.



- ### Option 2—With side mounting kit on an existing pole
- 10 Detach the plastic connector at the end of the top pole by removing the type A screw.
  - 11 Using the two U-bolts, secure the plastic base on the existing pole using the four washer and bolts.
  - 12 Insert the top pole into the plastic base while aligning the holes to re-insert the bolt and secure by screwing the nut.
  - 13 Assemble the wind sensor main body horizontally to the top pole and secure with a type A screw.
  - 14 Rotate the North Indicator reference line to the North and align the wind indicator in the same direction.
- ★ Press reset button on main unit to erase all testing data.