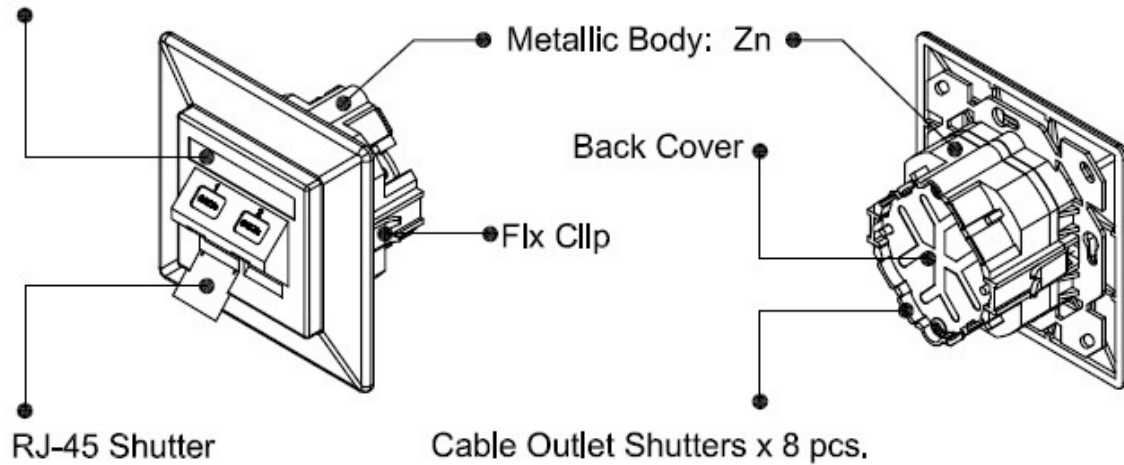


Cat.5e RJ-45 Flush mount wall plate (UTP) / Dual Type

Label : PC



Performance:

Meets Cat.5e EIA/TIA 568B.1 Standard.

Materials:

- Plastic Plate : Fireproof ABS UL-94V0
- Plastic Label : PC
- Metallic Body : Zn
- Back Cover : Metal (SPCC) & Zn plated
- Flx Clip : Metal (SPCC) & Zn plated
- Cable Outlet Shutter : stainless steel (SUS.)
- RJ-45 Jack : 8P8C 50 micro inches gold plated
- PCB : FR-4 / 1.6mm UL-94V0
- IDC Body : Fireproof ABS UL-94V0
- IDC Pin : Bronze & Tinned

Label Color Code : T568 A/B

IDC Description : For 22-26 AWG.

For 110 or Krone punch-down Tool

Electrical Specifications:

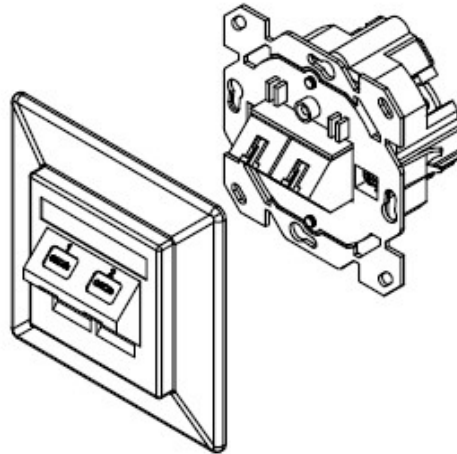
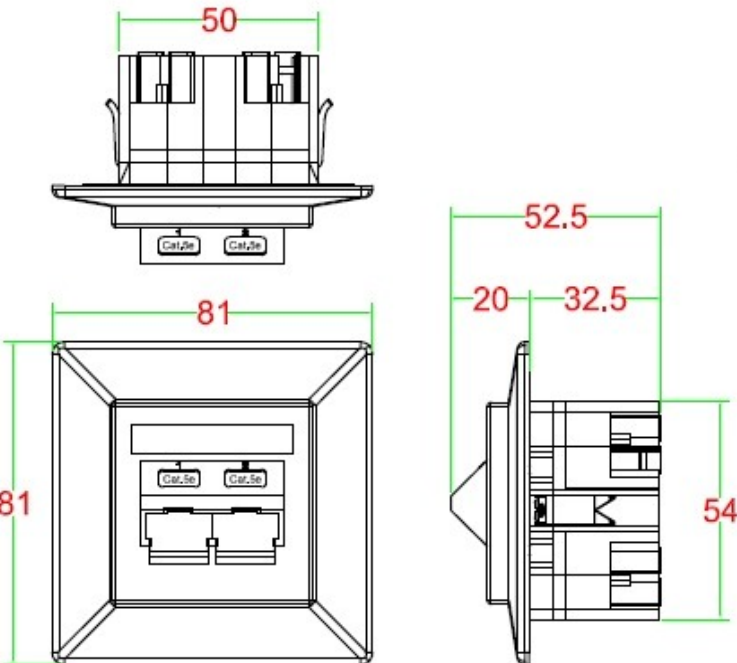
- Insulation Resistance : 500M ohms (min.)
- Contact Resistance : 20m ohms (max.)
- Current Rating : 1.5 Amps .
- DC Resistance : 0.1 ohm (max.)
- Withstanding Voltage : 1000 VAC RMS @ 60Hz / 1 min.

Mechanical Specifications:

- IDC Punch Down Cycle : Over 25 Cycles (min.)
- RJ-45 Jack Insertion Cycle : Over 2000 Cycles (min.)

Operation Temperature : -40 ~ +70 degree / C

Dimensions:



Color coding Information

T568B:	T568A:
1—WH/OR	1—WH/GN
2—OR	2—GN
3—WH/GN	3—WH/OR
4—BL	4—BL
5—WH/BL	5—WH/BL
6—GN	6—OR
7—WH/BR	7—WH/BR
8—BR	8—BR

DRAW NO:		ITEM NO:	EGA-U2XX
	APPR	CUSTOMER:	
UNIT:	m/m	DATE:	
SCALE:	DESIGN	TOLERANCE:	· ± 1 · X ± 0.1 · XX ± 0.15