



## Technical Specifications

<b>System</b> <ul style="list-style-type: none"> <li>CPU: VVTK-1000 SoC</li> <li>Flash: 8MB</li> <li>RAM: 64MB</li> <li>Embedded OS: Linux 2.4</li> </ul>	<b>Networking</b> <ul style="list-style-type: none"> <li>10/100 Mbps Ethernet, RJ-45</li> <li>Protocols: IPv4, TCP/IP, HTTP, UPnP, RTSP/RTP/RTCP, IGMP, SMTP, FTP, DHCP, NTP, DNS, DDNS, and PPPoE</li> </ul>
<b>Lens</b> <ul style="list-style-type: none"> <li>Focal length: f=4.1mm~73.8mm, auto iris, focus range: 290mm (wide), 800mm (tele) to infinity</li> <li>F-number: F1.4 (wide), F3.0 (tele)</li> <li>Embedded removable IR-cut filter for day &amp; night function</li> </ul>	<b>Alarm and Event Management</b> <ul style="list-style-type: none"> <li>Triple-window video for motion detection</li> <li>One D/I and one D/O for external sensor and alarm</li> <li>Event notification using HTTP, SMTP, or FTP</li> <li>Local recording of MP4 file</li> </ul>
<b>Angle of View</b> <ul style="list-style-type: none"> <li>2.8° ~ 48° (horizontal)</li> </ul>	<b>Security</b> <ul style="list-style-type: none"> <li>Multi-level user access with password protection</li> <li>IP address filtering</li> </ul>
<b>Shutter Time</b> <ul style="list-style-type: none"> <li>1/2 sec. to 1/10000 sec.</li> </ul>	<b>Users</b> <ul style="list-style-type: none"> <li>Camera live viewing for up to 10 clients</li> </ul>
<b>Image Sensor</b> <ul style="list-style-type: none"> <li>SONY 1/4" progressive scan CCD sensor in VGA resolution</li> </ul>	<b>Dimension (including lens)</b> <ul style="list-style-type: none"> <li>78mm (W) x 147mm (D) x 85mm (H)</li> </ul>
<b>Minimum Illumination</b> <ul style="list-style-type: none"> <li>1.61 Lux (F1.4, 1/30s)</li> <li>0.38 Lux (F1.4, 1/30s, without IR-cut filter)</li> </ul>	<b>Weight (including lens)</b> <ul style="list-style-type: none"> <li>Net: 824g</li> </ul>
<b>Video</b> <ul style="list-style-type: none"> <li>Compression: MJPEG &amp; MPEG-4</li> <li>Streaming: Simultaneous dual-streaming, MPEG-4 streaming over UDP, TCP, or HTTP, MPEG-4 multicast streaming, MJPEG streaming over HTTP, Supports 3GPP mobile surveillance</li> <li>Frame rates: MPEG-4: Up to 30/25 fps at 640x480, MJPEG: Up to 30/25 fps at 640x480</li> </ul>	<b>LED Indicator</b> <ul style="list-style-type: none"> <li>System power and status indicator</li> <li>System activity and network link indicator</li> </ul>
<b>Image Settings</b> <ul style="list-style-type: none"> <li>Adjustable image size, quality, and bit rate</li> <li>Time stamp and text caption overlay</li> <li>Flip &amp; mirror</li> <li>Configurable white balance, brightness, sharpness, and exposure</li> <li>Automatic, manual or scheduled day/night mode</li> <li>Backlight compensation (BLC)</li> </ul>	<b>Power</b> <ul style="list-style-type: none"> <li>12V DC</li> <li>24V AC</li> <li>Power consumption: Max. 7.6W</li> <li>802.3af compliant Power over Ethernet</li> </ul>
<b>Audio</b> <ul style="list-style-type: none"> <li>Compression: GSM-AMR speech compression, bit rate: 4.75 kbps ~12.2 kbps, MPEG-4 AAC audio encoding, bit rate: 16 kbps ~128 kbps</li> <li>Interface: Built-in microphone, External microphone input</li> <li>Supports two-way audio by SIP protocol</li> <li>Supports audio mute</li> </ul>	<b>Approvals</b> <ul style="list-style-type: none"> <li>CE, LVD, FCC, VCCI, C-Tick</li> </ul>
	<b>Operating Environments</b> <ul style="list-style-type: none"> <li>Temperature: 0°~50° C (32°~122° F)</li> <li>Humidity: 20%~80% RH</li> </ul>
	<b>Viewing System Requirements</b> <ul style="list-style-type: none"> <li>OS: Microsoft Windows 2000/XP/Vista</li> <li>Browser: Mozilla Firefox, Internet Explorer 6.x or above</li> <li>Cell phone: 3GPP player</li> <li>Real Player: 10.5 or above</li> <li>Quick Time: 6.5 or above</li> </ul>
	<b>Installation, Management, and Maintenance</b> <ul style="list-style-type: none"> <li>Installation Wizard 2</li> <li>16-CH recording software</li> <li>Supports firmware upgrade</li> </ul>
	<b>Applications</b> <ul style="list-style-type: none"> <li>SDK available for application development and system integration</li> </ul>

All specifications are subject to change without notice. Copyright ©2008 VIVOTEK INC. All rights reserved. P/N:011001000 Ver 3.0

# Network Camera IZ7151

## 18x Zoom Progressive Scan CCD



VIVOTEK IZ7151, incorporates a fully integrated Sony 18x optical zoom lens and progressive scan CCD sensor, is an all-in-one network camera for 24-hour day and night surveillance. With the built-in 18x optical zoom, this camera can flexibly zoom in on small or distant objects and remotely monitor warehouses, construction sites, parking lots, office or apartment buildings and more - with exceptional accuracy and clarity.

Featuring the day/night function, the IR-cut filter is able to be removed while lighting darkens and automatically turns the mode of color (day time/bright lighting) into monochrome (night time/dark or low lighting), down to 0.38 lux. It also comes with a RS-485 interface for scanners or pan/tilts driver connection, which is designed for a cost-effective alternative with pan/tilt/zoom functions as a professional speed dome.

Additionally, this camera is fully loaded with many sophisticated features such as 3GPP mobile surveillance, Power over Ethernet, and SIP two-way audio, free-bundled 16-Ch recording software etc., allowing you to build up a reliable, future-proof IP surveillance system with ease. No matter how wide range your applications would be, just have a closer, crystal clear view with VIVOTEK IZ7151 from anywhere over the network.

## Product Features

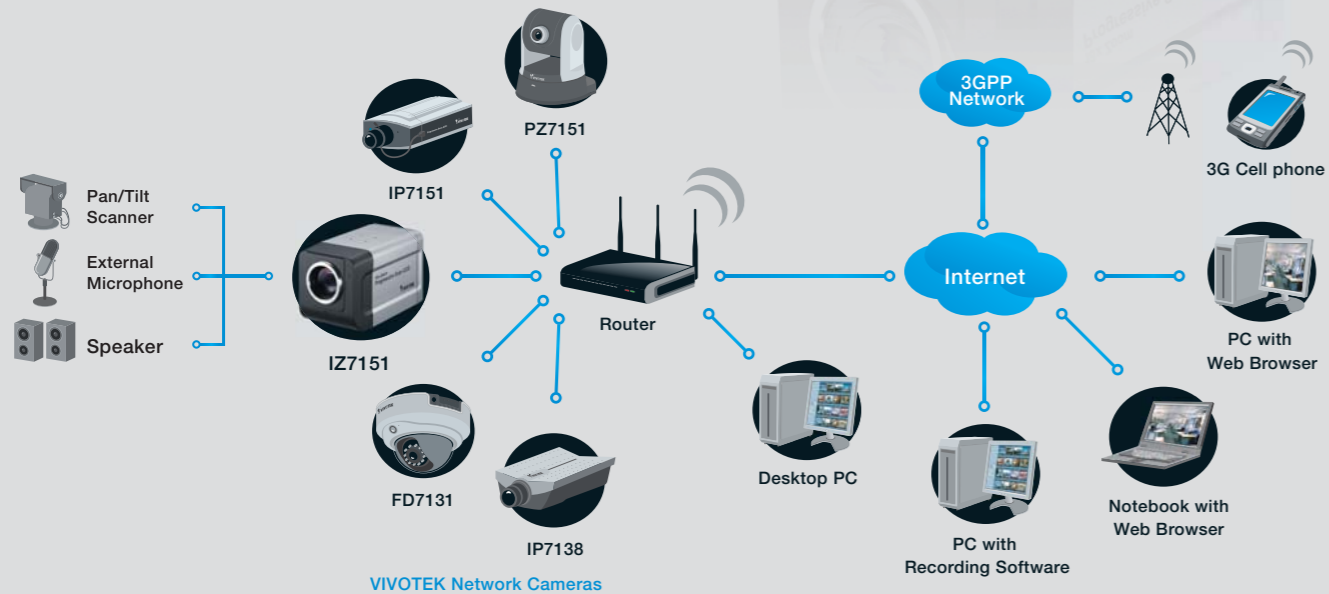
### IZ7151

- SONY Progressive Scan CCD Module in VGA Resolution
- 18x Zoom Lens
- Removable IR-cut Filter for Day & Night Function
- Real-time MPEG-4 and MJPEG Compression (Dual Codec)
- Supports Dual Streams Simultaneously
- 3GPP Mobile Surveillance
- Built-in 802.3af Compliant PoE
- Two-way Audio by SIP Protocol
- RS-485 Interface for Scanners, Pan/Tilts
- Digital I/O for External Sensor and Alarm
- Back Light Compensation



VIVOTEK's Self-developed SoC

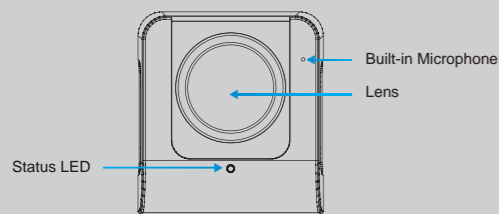
## System Overview



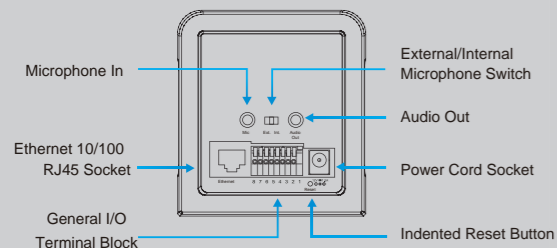
VIVOTEK Network Cameras

## System Overview

### Front View



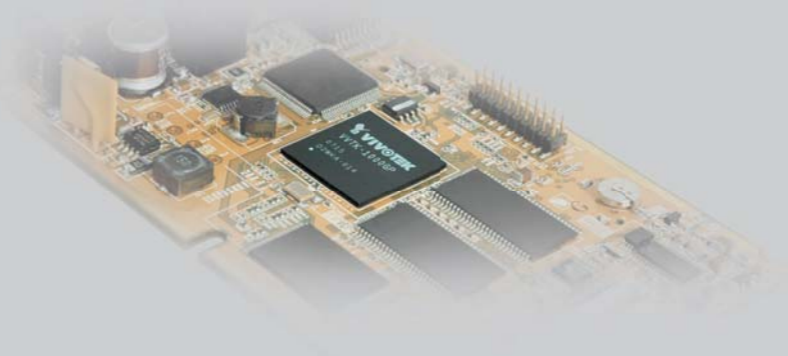
### Rear View



## VVTK-1000

### VIVOTEK's Self-developed SoC

VIVOTEK's self-developed SoC enhances the implementation of more powerful surveillance functions, greater transmission efficiency, and guarantee the highest quality in real-time audio-video transmission.



## Versatile Applications



Warehouses



Factories

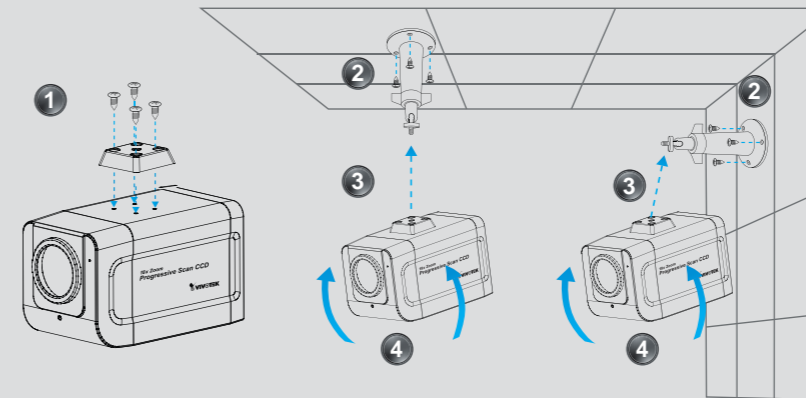


Parking lots



Offices

## Easy Installation



### Accessories



## Technical Zone



### Progressive Scan CCD Sensor

Optimum solution for shooting high-speed moving objects

The progressive scan CCD sensor effectively offers an excellent solution for shooting high-speed moving objects. It can clearly capture images of moving objects that traditional interlaced-scan techniques could not achieve. Unlike interlaced-scan techniques, progressive scanning scans all the lines simultaneously so as to present razor-sharp, clear, and high-resolution snapshots in all circumstances.



### 18x Optical Zoom Lens

Providing unprecedented image quality

Utilizing Sony 18x optical zoom lens, VIVOTEK IZ7151 allows you to have close-up images with exceptional detail and effectively extends your eyesight. You can easily and quickly zoom in on distant objects or any tiny target with unprecedented high quality even when enlarged.



### Power over Ethernet

Allowing power and signals to be transmitted over only one Ethernet cable

With 802.af PoE support, VIVOTEK IZ7151 can be powered through the original network-cabling infrastructure, thus cutting costs and cabling to the overall installation.