



NR7401 Network Video Recorder

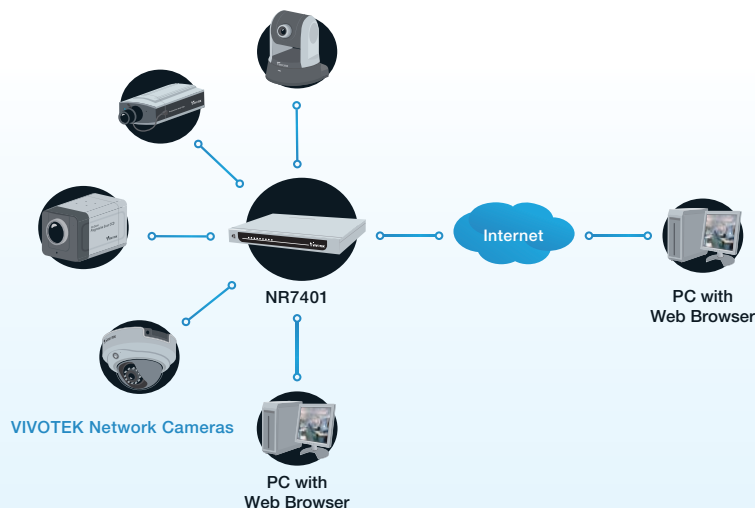
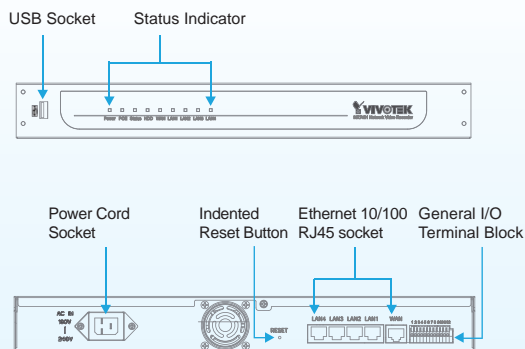
9-CH · PoE · Gateway Supported

VIVOTEK NR7401 network video recorder provides an easy recording solution for VIVOTEK network cameras and allows users to perform real-time monitoring and recording at the same time. Supporting recording for up to 9 channels in both MPEG-4 and MJPEG formats, NR7401 provides several recording options, including alarm recording, scheduled recording, and manual recording. Installation is made easy because NR7401 can automatically detect and install VIVOTEK cameras without any configuration. Furthermore, NR7401 has four 802.3af compliant PoE (Power over Ethernet) ports that reduce cabling problems. NR7401 offers a user-friendly interface where users can configure network settings as well as control camera movement. By installing a large-volume SATA hard disk (up to 750 GB) in NR7401, users can record high-definition video streams from mega-pixel cameras for a long period without worrying about running out of storage capacity. NR7401 comes with a built-in gateway that separates network cameras from regular data network so the influence of video recording on bandwidth is minimized. NR7401 also has four digital input and one digital out interfaces to allow for connection with external sensors and alarms. In addition, NR7401 offers an USB port, which can be used to connect with external storage devices for video backup.

Features

- 9-channel Monitoring and Recording Simultaneously
- Gateway Between VIVOTEK Network Cameras and Data Network
- Supports VIVOTEK 6000- and 7000-series Network Cameras
- Built-in 802.3af Compliant PoE (Power over Ethernet)
- Local Video Recording with Minimal Bandwidth Impact
- Camera Management with Automatic Camera Installation and Configuration
- Video Proxy Server for Live and Recorded Video
- External USB Storage for Video Backup

System Overview



Specifications

System

- CPU: Intel IXP425ABD
- Flash: 16 MB
- RAM: 128 MB
- Embedded OS: Linux

Video Channels

- Supports up to 9 channels

Hard Disk

- Supports SATA hard disk up to 750 GB

Compatibility

- Supports VIVOTEK 6000- and 7000-series network cameras

Video Recording

- MJPEG and MPEG-4

Recording Throughput

- Total 12Mbps

Recording Policy

- Alarm recording
- Scheduled recording
- Manual recording

Connectors

- 5 x Ethernet 10/100 BaseT, RJ45 (1 WAN and 4 LAN ports)
- USB socket for backup
- Terminal block: 4 digital input, 1 relay output, and 1 power output with 12V max. 1A

Camera Management

- Auto or manual installation for VIVOTEK cameras
- Video and network configuration through NR7401

Pan/Tilt/Zoom Control

- Pan/tilt/zoom control of VIVOTEK cameras

History Playback

- Playback of recorded media with time navigations

Networking

- Protocols: IPv4, TCP/IP, HTTP, RTSP/RTP/RTCP, IGMP, SMTP, FTP, DHCP, NTP, DNS, DDNS

Alarm and Event Management

- Four D/I and one D/O for external sensor and alarm
- Event notification using SMTP

Security

- Multi-level user access with password protection
- IP address filtering

Users

- Camera live and playback viewing for up to 10 clients

Dimension

- 360 mm (W) x 280 mm (D) x 43.8 mm (H)

Weight

- Net: 3100 g (without HDD)

LED Indicator

- System power, PoE, status and hard disk indicators
- Network link indicators

Power

- 100 ~ 240V AC
- Consumption
 - Max 21W without PoE camera
 - Max 35W with 4 PoE cameras
- 802.3af compliant Power over Ethernet

Approvals

- CE, FCC, C-Tick, VCCI, UL, CB

Operating Environments

- Temperature: 0°~50° C (32°~122° F)
- Humidity: 20%~80% RH

Viewing System Requirements

- OS: Microsoft Windows 2000/XP/Vista
- Browser: Internet Explorer 6.x or above

Installation, Management, and Maintenance

- Installation Wizard 2
- Supports firmware upgrade

All specifications are subject to change without notice. Copyright©2008 VIVOTEK INC. All rights reserved. Ver 0.1